



WI-PS328GF
24GE+4Combo 48V Ports PoE Switch
with 24-Port PoE
Data sheet

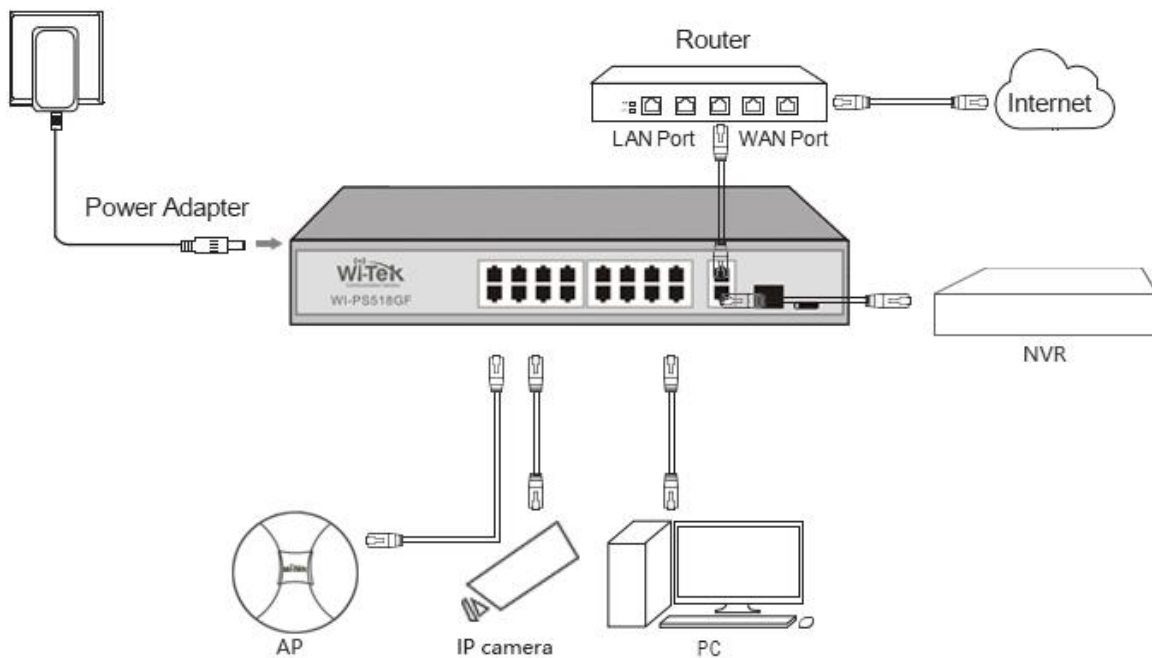
Highlights

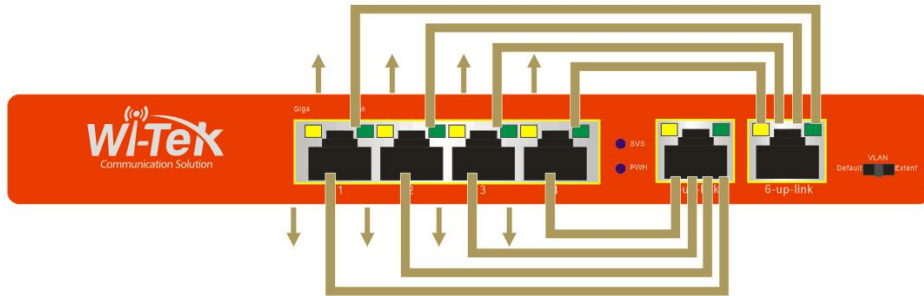
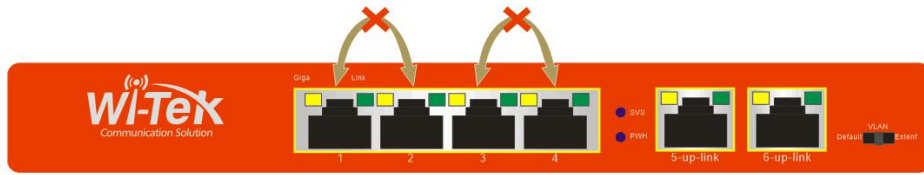
- 24GE+4Combo Full Gigabit Switch with 24 PoE ports
- Supports PoE power up to 30W for each port
- Supports PoE IEEE 802.3af/at compliant PDs
- Internal power adapter supply 400W output power
- LED indicators for LINK/ACT, Power, PoE Status, 100/1000Mbps
- 8K entry MAC address table with auto-learning and auto-aging

Product



Typical Applications





Description

What This Product Does

24GE+4Combo Port Gigabit Switch with 24-Port PoE provides the seamless network connection. It integrates 1000Mbps Gigabit Ethernet and 10/100Mbps Fast Ethernet network capabilities.

How This Product Works

24 Auto-Negotiation RJ45 ports (port-1 to port-24) of the switch support Power over Ethernet (PoE) function. These PoE ports can automatically detect and supply power with those IEEE 802.3af/at compliant Powered Devices (PDs). In this situation, the electrical power is transmitted along with data in one single cable allowing you to expand your network where there are no power lines or outlets, where you wish to fix devices such as APs, IP Cameras or IP Phones, etc.

Easy To Use

WI-PS328GF is easy to install and use. It requires no configuration and installation. With outstanding performance and quality, the WI-PS328GF 24GE+4combo Port Gigabit Switch with 24-Port PoE is a great selection for expanding your home or office network.

Specification

HARDWARE FEATURES

HARDWARE FEATURES	
Interface	24 1000M POE Ports

	4 1000M Combo SFP Uplink Ports
Network Media	<p>10Base -T: Pair 2 Category 3(Cat3) and above UTP/STP(≤100m)</p> <p>100Base-TX: Pair 2 Category 5(Cat5) and above UTP/STP(≤100m)</p> <p>1000Base-T: Pair 4 Category 5(Cat5e) and above UTP/STP(≤100m)</p> <p>1000Base-SX: 62.5μm/50μm MMF(2m~550m)</p> <p>1000Base-LX: 62.5μm/50μm MM(2m~550m) or 10μm SMF(2m~5000m)</p>
Fan Quantity	2 Fan
Power Budget	400W
Internal Power Supply	AC 110~240V 50/60HZ
PoE Ports (RJ45)	<p>Standard: 802.3 af/at compliant</p> <p>PoE Ports: Port1- Port24</p> <p>Power Supply: 400W</p>
Exchange Capacity	56G
Mac Address Table	16K
Packet	41.7Mpps

Forwarding Rate	
Buffer	12Mb
Jumbo Frame	10240Bytes
Dimensions	Product Size: 440mm*290mm*45mm (L*W*H)

SOFTWARE FEATURES

Transmission Method	Store-And-Forward
Advanced Functions	Priority Function Mac Address Auto-Learning And Auto-Aging Store and forward IEEE 802.3x flow control for Full-duplex Mode Backpressure for Half-duplex Mode

OTHERS

Certification	CE, FCC, RoHS
Package Contents	POE Switch Electric Line Guide Book/Warranty Card

Environment

Working Temperature:

-10°C ~ 55°C

Storage temperature :

-40°C ~ 70°C

Working Humidity :

10% ~ 90% RH

non-condensing

Storage Humidity:

5% ~ 90% RH non-

condensing